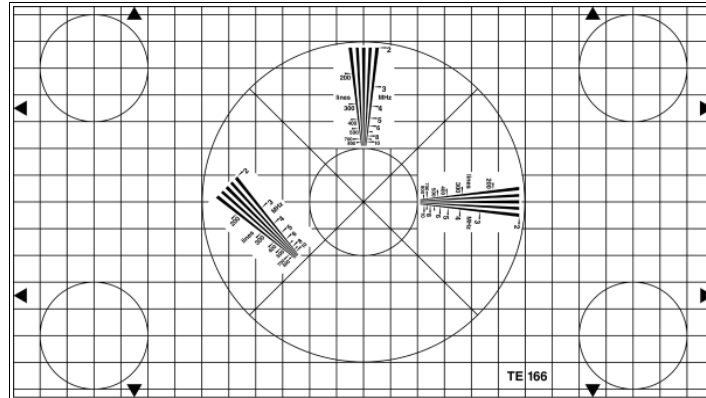




# GRID TEST CHART 16:9

## TRANSPARENCY



On a light background a grid structure of 25 horizontal and 15 vertical lines is arranged. The width of the grid lines is 0.13% of the picture width. The large circular line has a diameter of 82% of the picture height, the 5 small circular lines have a diameter of 27.4% of the picture height. Inside the large circular line 3 resolution wedges are arranged at 0°, 90° and 135° corresponding to signal frequencies of 2-12 MHz (the markings end at 10 MHz resp. 800 TV lines).

### Utilization

The test chart is designed for operation alignment and checking of electronic cameras. The circular lines allow a rough visual appraisal of the geometry. The grid lines serve for adjusting registration errors. The wedges are used for assessment of the resolution.